



Bubble Tractor™



Product features may vary from the picture above.

Owner's Manual with Assembly Instructions

Please read this manual and save it with your original sales receipt.

For Model 75320

Tools needed for assembly: Phillips Screwdriver, Hammer, and Slotted Screwdriver (not included).

Use only with a Power Wheels® 6 Volt (4.0 amp/Hr.) Battery, Power Wheels® 25 amp Fuse and Power Wheels® 6 Volt (4.0 amp/Hr.) Charger (all included).

Table of Contents

A	Important Information	.2
B	Warnings and Cautions	.3
C	Parts	.4
D	Parts Diagram	.5
E	Battery Charging	.6
F	Assembly	.8
G	Label Decoration	.14
H	Battery Installation	.15
I	Battery Care and Disposal	.16
J	Caring For Your Vehicle	.16
K	Rules For Safe Driving	.17
L	How to Operate Your Vehicle	.18
M	Bubblin' Fun	.18
N	Problems and Solutions Guide	.21
O	Statement of Limited Warranty	.24
P	Authorized Service Centers	.24

A

Important Information

- Your new vehicle requires adult assembly. Please set aside at least 45 minutes for assembly.
- You must charge your battery for 18 - 30 hours **before you use your vehicle for the first time**. We recommend that you start charging your battery before beginning assembly. Please see Battery Charging beginning on page 6 for detailed instructions.
- Read this manual carefully for important safety information and operating instructions before using your vehicle. Please keep this manual for future reference as it contains important information.
- This vehicle is designed for use: on grass, asphalt and other hard surfaces; on generally level terrain; and by children 12 - 36 months of age.
- Make sure children know and follow these rules for safe driving and riding:
 - always sit on the seat.
 - always wear shoes.
 - only 1 (one) rider at a time.
- To prevent damaging the motors and gears, do not tow anything behind the vehicle or overload it. Do not exceed the maximum weight capacity of 40 lb. (18 kg).
- If you have any questions about your Power Wheels® vehicle, please call our toll-free service lines at **1-800-348-0751** from 8 AM to 6 PM (EST) Monday through Friday. Trained customer service representatives are available to take your call in English or French. Habla Español? Si usted tiene alguna pregunta ó necesita asistencia llame gratis **1-800-348-0755** para los Estados Unidos. Tenemos representantes que hablan español para atender su llamada.
- For your convenience, Power Wheels® maintains an Authorized Service Center Network with more than 400 authorized service centers nationwide. Our authorized service centers will repair or replace parts under warranty at no extra charge, and can perform non-warranty repairs for a minimal charge. Please see the Authorized Service Center list beginning on page 24 to find the authorized service center nearest you, or call **1-800-348-0751**.
- Please complete and return the enclosed Registration Card today, or call **1-800-348-0751** to register your vehicle by phone.

ELECTRICAL HAZARD **WARNING**

- Battery can fall out and injure a child if vehicle tips over. Always use battery clamp.
- **PREVENT FIRE**
 - Do not bypass a Power Wheels® fuse. It is a safety device.
 - Use only a Power Wheel® 25 Amp fuse.
 - Never modify the electrical system. Alterations could cause a fire resulting in serious injury and could also ruin the electrical system.
 - Use of the wrong type battery, fuse or charger could cause a fire or explosion resulting in serious injury.
 - Use of Power Wheels® components in products other than Power Wheels® vehicles could cause overheating, fire or explosion.
- The battery must be handled by adults only. The battery is heavy and contains sulfuric acid (electrolyte). Dropping the battery could result in serious injury.
- Never allow children to charge the battery. Battery charging must be done by adults only. A child could be injured by the electricity involved in charging the battery.
- Never lift or carry the battery by the wires or connector. This can damage the battery and possibly cause a fire resulting in serious injury. Lift and carry the battery by the case only.
- Read the safety instructions on the battery.
- Examine the battery, charger and their connectors for excessive wear or damage each time you charge the battery. If damage or excessive wear is detected, do not use the charger or the battery until you have replaced the worn or damaged part.
- **HOT** motors. Handle carefully.

RIDING HAZARD **WARNING**


- **Prevent Injuries and Deaths**
 - Direct Adult Supervision Required
 - Keep Children Within Safe Riding Areas.
These areas must be:
 - away from swimming pools and other bodies of water to prevent drownings
 - generally level to prevent tipovers
 - away from steps, driveways, roads and alleys.

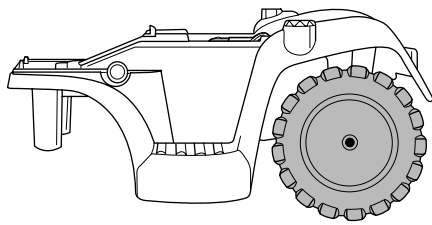
 **CAUTION**

- In the unassembled state, this package contains small parts. Adult assembly is required.
- Use the charger in dry locations only.

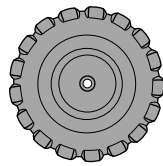
C

Parts

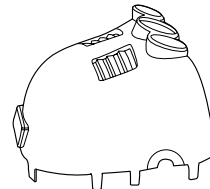
- If you experience a problem with this product, or are missing a part, please call us at **1-800-348-0751**, rather than return this product to the store.
- Please identify all parts before assembly and save all packaging material until assembly is complete to ensure that no parts are discarded.
- Some parts were placed under the seat for shipment. Unlock the seat lock fastener, using a slotted screwdriver to rotate the lock fastener $\frac{1}{4}$ turn to the unlocked position . Lift the seat to access the battery compartment.
- Metal parts have been coated with a lubricant to protect them during shipment. Wipe all metal parts with a paper towel to remove any excess lubricant.



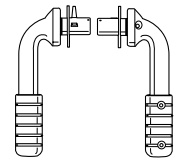
Vehicle Frame



Wheel - 2

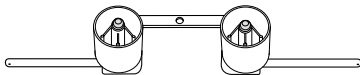


Cowling



Handle Bottom

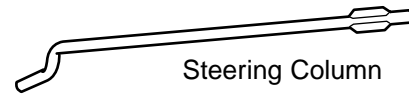
Handle Top



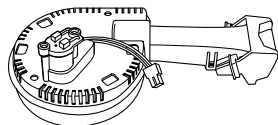
Steering Linkage



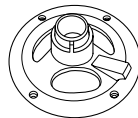
Steering Wheel Top



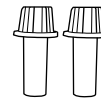
Steering Column



Bubble Blower



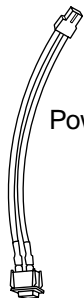
Steering Wheel Bottom



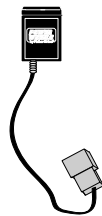
Long Bushing - 2



Round Bushing - 2



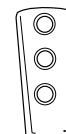
Power Button Harness



6 Volt Battery Charger



Dipstick



Exhaust Pipe Front

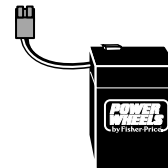


Exhaust Pipe Back



25 Amp Fuse - 1*

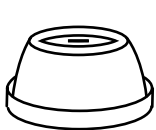
Not Shown: Label Sheet



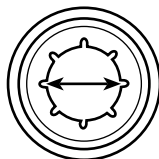
6 Volt Battery



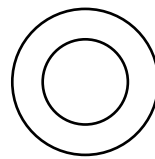
Bubble Solution



.354 Cap Nut - 6*



Washer - 2



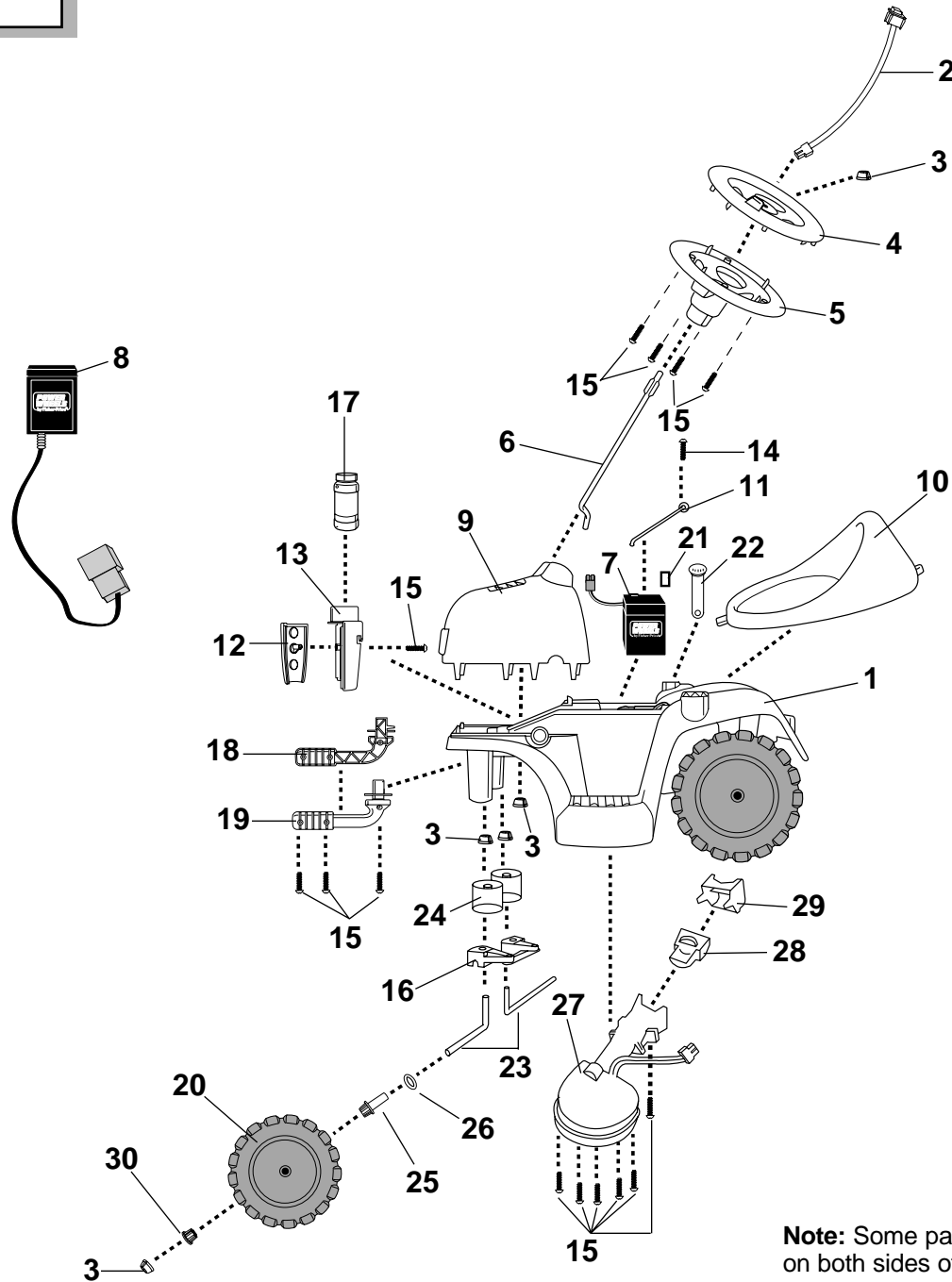
#8 x $\frac{3}{4}$ " Screw - 14

*For your convenience, an extra cap nut and 25 amp fuse have been included.

All Shown Actual Size

D

Parts Diagram



Note: Some parts shown are assembled on both sides of the vehicle.

- | | | |
|---------------------------------|--------------------------|--------------------------|
| 1. Vehicle Frame | 11. Battery Clamp | 21. 25 Amp Fuse |
| 2. Power Button Harness | 12. Exhaust Pipe Front | 22. Dipstick |
| 3. Cap Nut - 6 | 13. Exhaust Pipe Back | 23. Front Axle - 2 |
| 4. Steering Wheel Top | 14. #8-18 x 7/8" Screw | 24. Steering Bushing - 2 |
| 5. Steering Wheel Bottom | 15. #8 x 3/4" Screw - 14 | 25. Long Bushing - 2 |
| 6. Steering Column | 16. Steering Linkage | 26. Washer - 2 |
| 7. 6 Volt (4.0 Amp/Hr.) Battery | 17. Bubble Solution | 27. Bubble Blower |
| 8. 6 Volt (4.0 Amp/Hr.) Charger | 18. Handle Bottom | 28. Reservoir |
| 9. Cowling | 19. Handle Top | 29. Reservoir Cover |
| 10. Seat | 20. Wheel - 2 | 30. Round Bushing - 2 |

Not Shown: Label Sheet - 2

ELECTRICAL HAZARD**⚠ WARNING**

- Battery can fall out and injure a child if vehicle tips over. Always use battery clamp.
- **PREVENT FIRE**
 - Do not bypass a Power Wheels® fuse. It is a safety device.
 - Use only a Power Wheels® 25 Amp fuse.
 - Never modify the electrical system. Alterations could cause a fire resulting in serious injury and could also ruin the electrical system.
 - Use of the wrong type battery, fuse or charger could cause a fire or explosion resulting in serious injury.
 - Use of Power Wheels® components in products other than Power Wheels® vehicles could cause overheating, fire or explosion.
- The battery must be handled by adults only. The battery is heavy and contains sulfuric acid (electrolyte). Dropping the battery could result in serious injury.
- Never allow children to charge the battery. Battery charging must be done by adults only. A child could be injured by the electricity involved in charging the battery.
- Never lift or carry the battery by the wires or connector. This can damage the battery and possibly cause a fire resulting in serious injury. Lift and carry the battery by the case only.
- Read the safety instructions on the battery.
- Examine the battery, charger and their connectors for excessive wear or damage each time you charge the battery. If damage or excessive wear is detected, do not use the charger or the battery until you have replaced the worn or damaged part.
- **HOT** motors. Handle carefully.

⚠ CAUTION

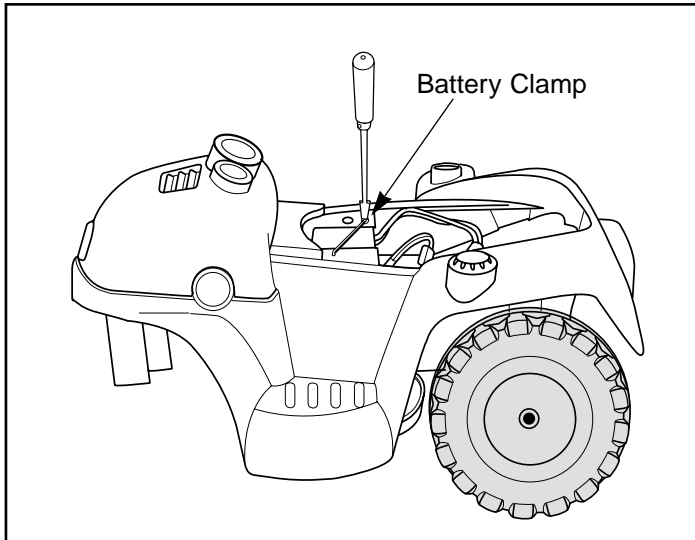
Use the charger in dry locations only.

Important Notes

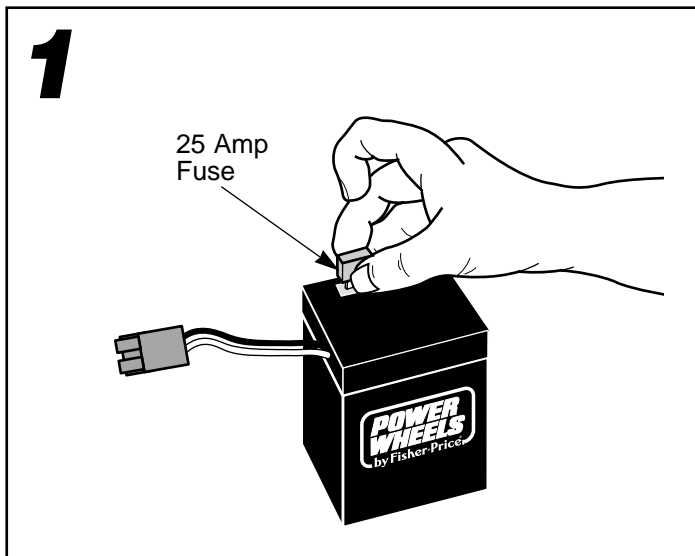
- **Your new battery must be charged for at least 18 hours before you use it in your vehicle for the first time.**
- We recommend that you start charging your battery before beginning assembly of your new vehicle.
- The battery must be upright while charging.
- The charger is not a toy.
- Do not short circuit the battery.
- The battery must be removed from your vehicle for the initial charge in order to complete assembly. You do not need to remove the battery from the vehicle to recharge it.
- Before charging the battery, examine the battery case for cracks and other damage which may cause sulfuric acid (electrolyte) to leak during the charging process. If damage is detected, do not charge the battery or use it in your vehicle. Battery acid is very corrosive and can cause severe damage to surfaces it contacts.
- Do not charge the battery on a surface which could be damaged by the acid contained inside the battery. Take precautions to protect the surface on which you charge your battery.
- Use only a Power Wheels® 6 volt (4.0 Amp/Hr.) charger with an input of 120 VAC, 60Hz 6W and an output of 6V DC, 400 mA and a 25 amp fuse to charge your Power Wheels® rechargeable 6 volt (4.0 Amp/Hr.) battery.

Battery Charging

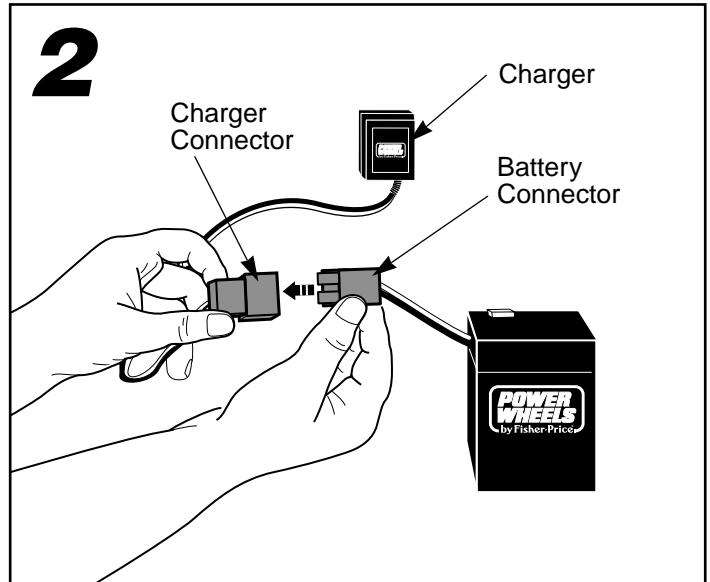
IMPORTANT! The battery must be removed from your vehicle for the initial charge in order to complete assembly. After assembly is complete, you do not need to remove the battery from your vehicle to recharge it.



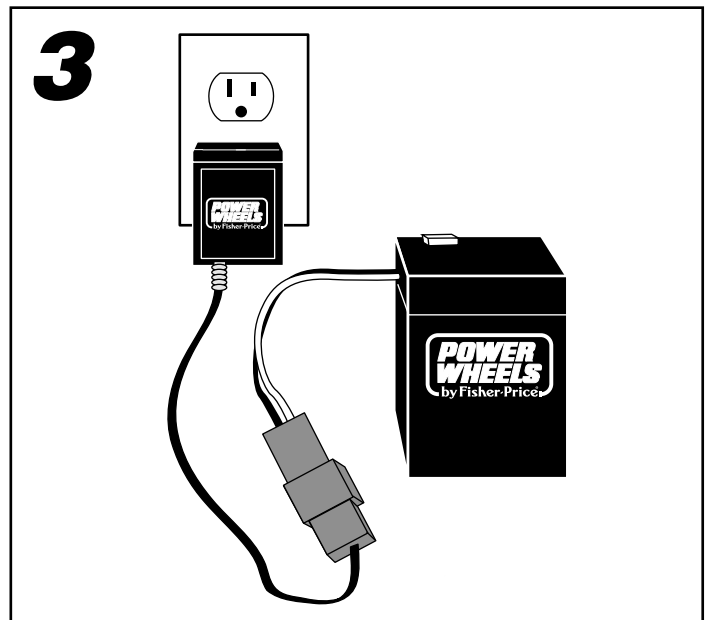
- Using a Phillips screwdriver, loosen the screw in the battery clamp. Remove the battery clamp from the vehicle frame.
- Remove the Power Wheels® 6 Volt (4.0 Amp/Hr.) battery from the battery compartment.
- Discard any cardboard that may have been used to protect the battery during shipping.



- If you are charging the battery for the first time, insert a 25 amp fuse into the battery.
- Note:** The top of the fuse will not be flush with the top of the battery when properly installed.



- Fit the charger connector and the battery connector together.



- Plug the charger into a standard 120 volt wall outlet.
- Note:** If power flow to the wall outlet is controlled by a switch, make sure the switch is "ON".
- **Before first time use, charge the battery for at least 18 hours.** Never charge the battery longer than 30 hours.
 - Recharge the battery for at least 14 hours after each use of your vehicle. Do not charge the battery longer than 30 hours.
 - Once the battery is charged, disconnect the charger connector from the battery connector. Unplug the charger from the wall outlet. The battery is now charged and is ready to be installed in your vehicle. Please see "Battery Installation" on page 15 for detailed battery installation instructions.

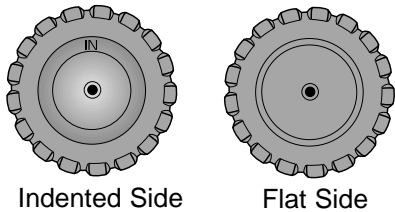
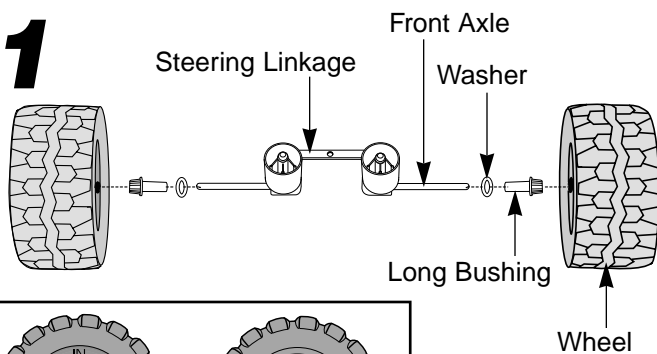
F

Assembly

WARNING

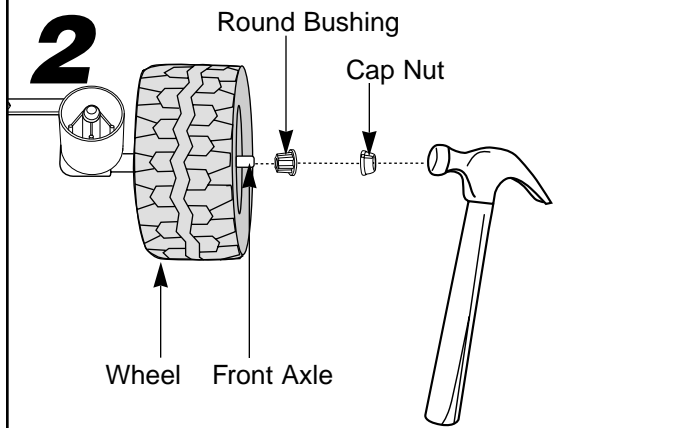
Children can be harmed by small parts, sharp edges and sharp points in the vehicle's unassembled state, or by electrical items. Care should be taken in unpacking and assembly of the vehicle. Children should not handle parts, including the battery, or help in assembly of the vehicle.

1



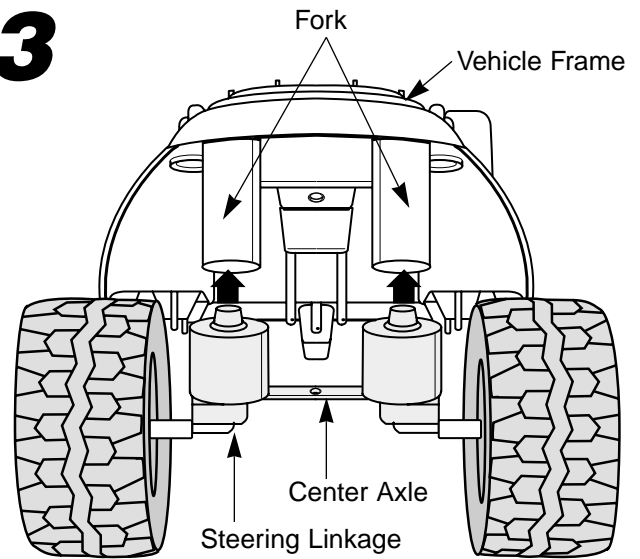
- Slide a washer onto the steering linkage front axles.
- Slide a long bushing, long end first, onto each front axle.
- Slide a wheel, indented side first, onto each front axle.

2



- Fit a round bushing, barrel end first, onto the end of a front axle. Push the round bushing into the wheel.
- Fit a cap nut onto the end of the front axle.
- Tap the cap nut with a hammer to secure it on the front axle.
- Repeat this procedure to secure the other wheel to the other front axle.

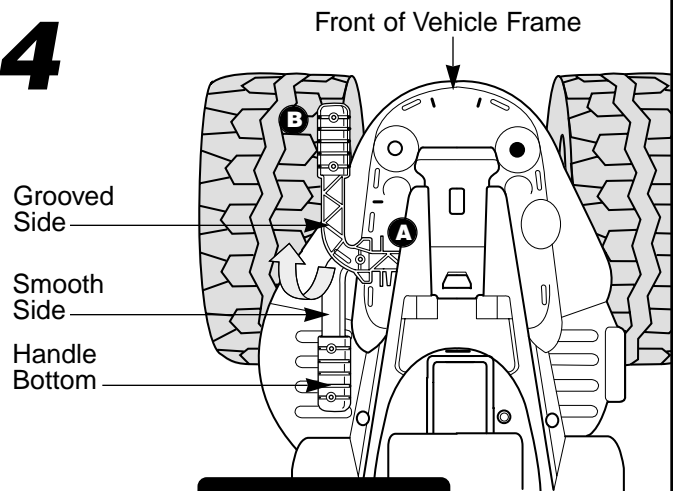
3



Front View

- While lifting the front of the vehicle frame, fit the steering linkage onto the fork on the front of the vehicle frame. Make sure the center axle is toward the rear of the vehicle.

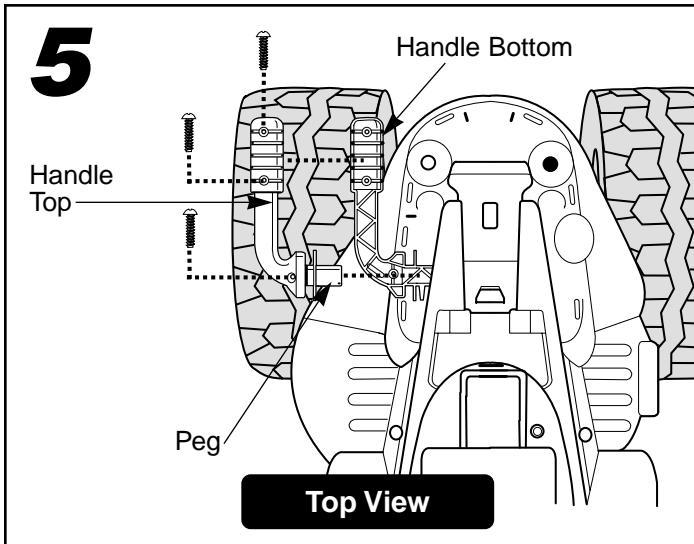
4



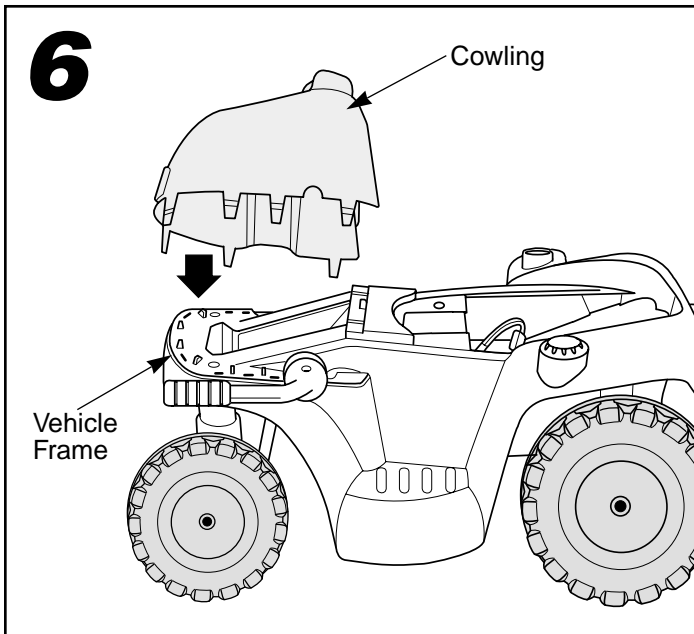
Top View

- Position the handle bottom so that the smooth side is upright.
- Insert the handle bottom peg into the hole in the side of the vehicle frame, near the front end **A**.
- Turn the handle over so that the grooved side is upright **B**.

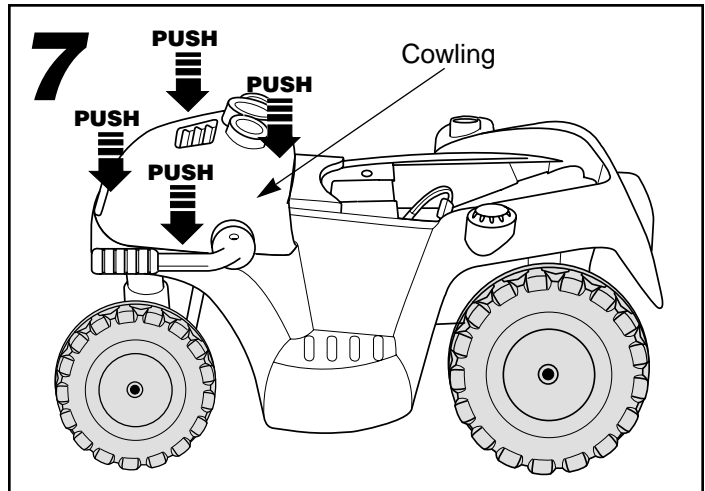
Assembly



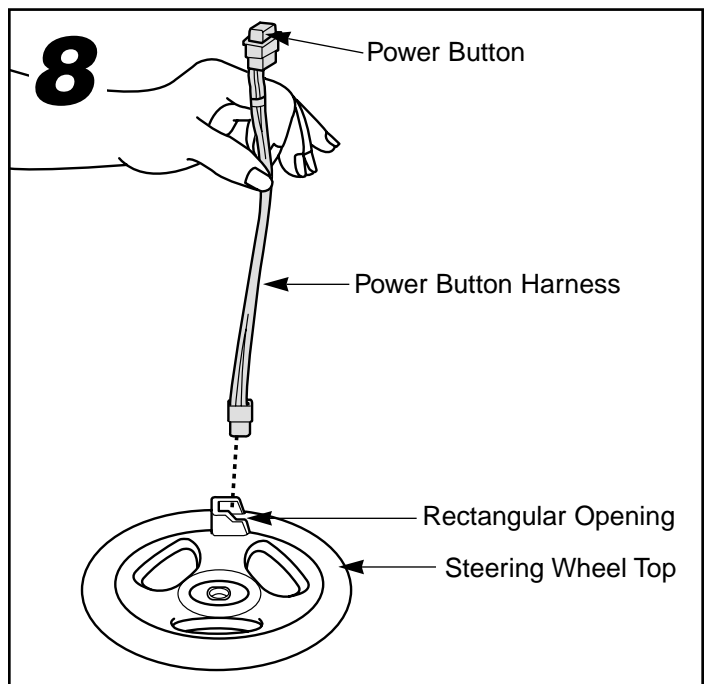
- Position the handle top so that the smooth side is upright.
- Insert the handle top peg into the hole in the side of the vehicle frame, near the front end.
- Fit the handle top and handle bottom together.
- Insert three screws through the handle top and into the handle bottom. Tighten the screws with a Phillips screwdriver. Do not over-tighten.



- Fit the nine tabs on the cowling into the nine slots in the top of the vehicle. **Make sure all nine tabs are in all nine slots.**

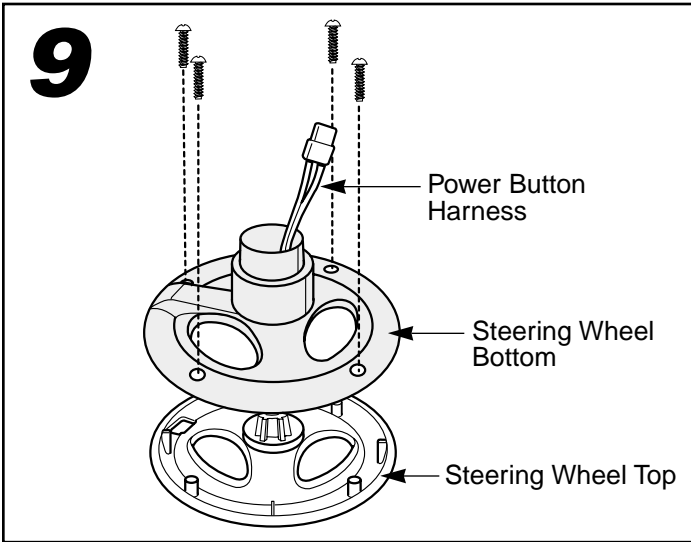


- Push down on the front, back and both sides of the cowling to permanently secure the nine tabs into the nine slots in the vehicle frame.

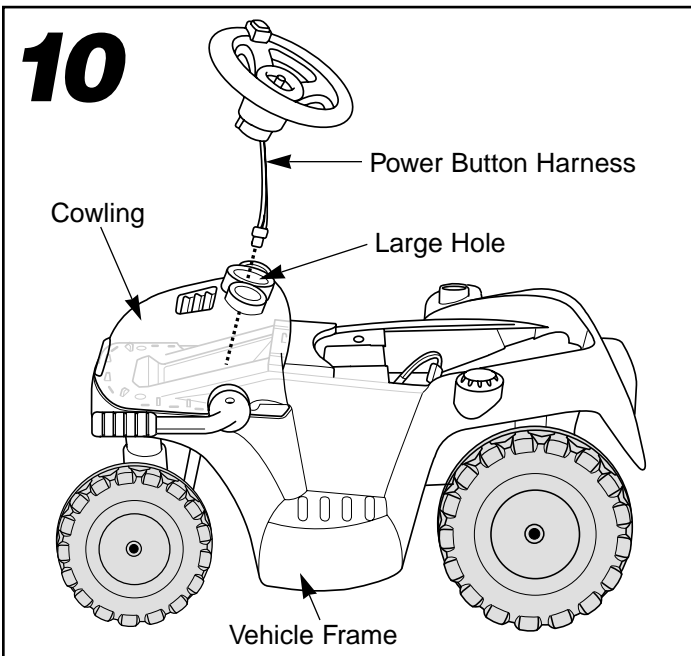


- Position the steering wheel top – right side up.
- Fit the power button harness down through the rectangular opening in the steering wheel top.
- Insert and snap the power button into the steering wheel top.

Assembly



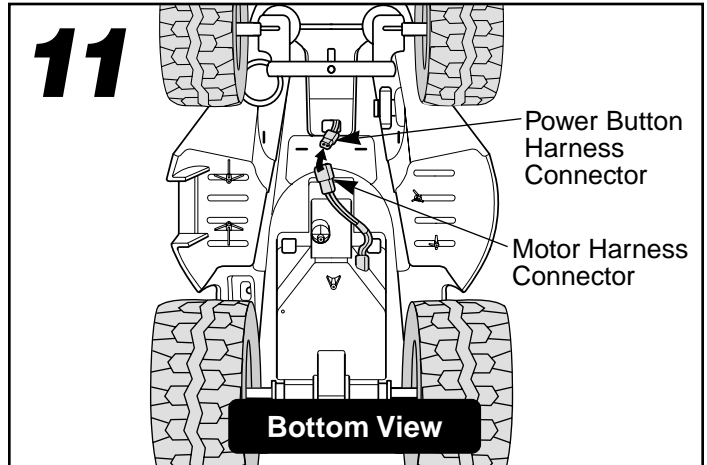
- Turn the steering wheel top over, so that the power button harness faces up.
- Bend the power button harness down (near the power button) toward the center of the steering wheel top.
- Insert the power button harness through the center of the steering wheel bottom, as shown.
- Fit the steering wheel bottom to the steering wheel top and align the four holes in each.
- Insert four screws through the steering wheel bottom and into the steering wheel top. Tighten the screws with a Phillips screwdriver. Do not over-tighten.



- Insert the steering wheel with power button harness down through the large hole in the cowling and the rectangular hole in the vehicle frame.

Hint: Before inserting the power button harness through this hole, locate the rectangular hole in the vehicle frame by looking through the large hole in the cowling.

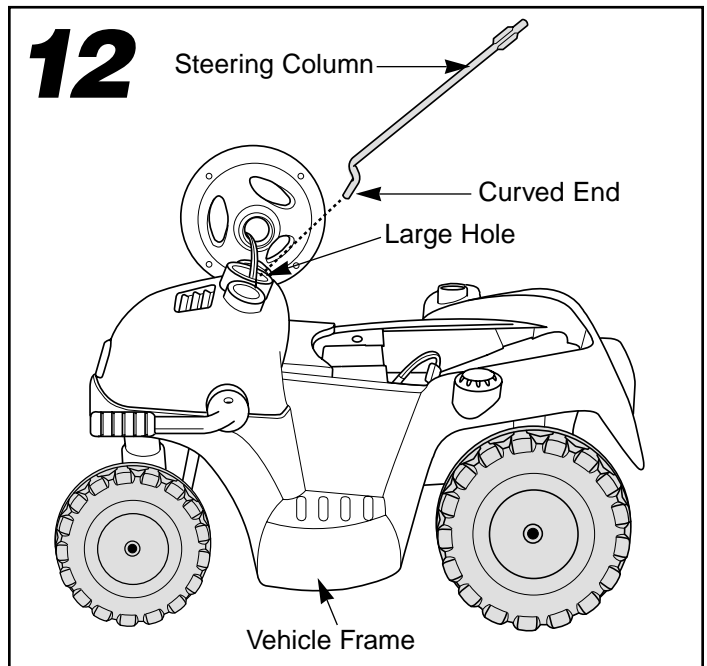
10



IMPORTANT! There are three electrical connections to be made on this product. All three electrical connections must be made in order for your product to function properly. Please follow these instructions carefully.

- Carefully turn the vehicle frame over.
- Fit the power button harness connector into the motor harness connector. This is the first electrical connection

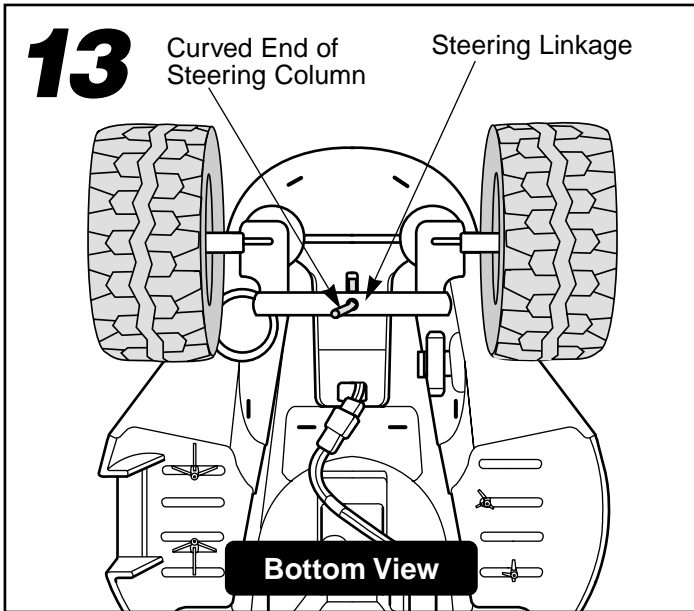
Note: If the power button harness connector will not plug into the motor harness connector, turn it over and try again! Do not force the power button harness connector into the motor harness connector.



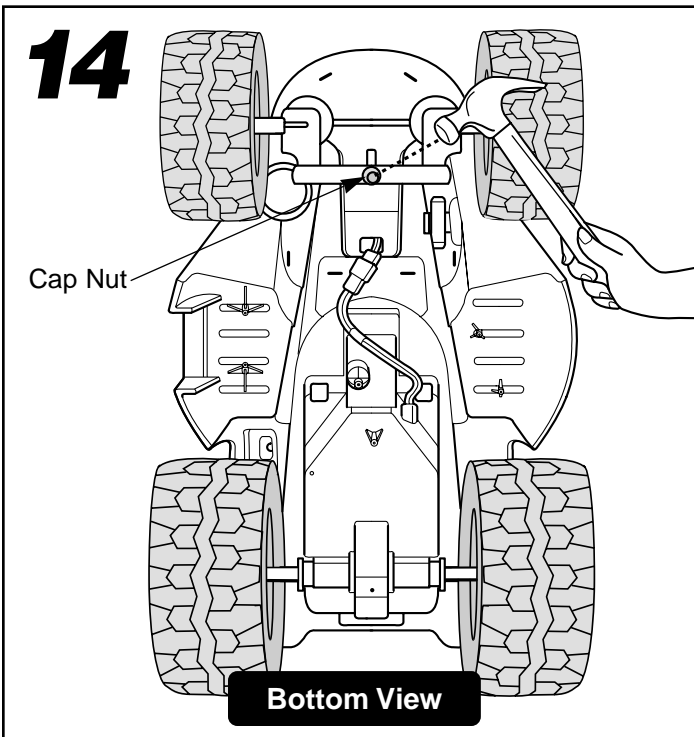
- Turn the vehicle frame upright.
- Fit the steering column (curved end down) through the large hole in the cowling and the small rectangular hole in the vehicle frame.

Hint: Before inserting steering column down through this hole, locate the small rectangular hole in the vehicle frame by looking through the large hole in the cowling.

Assembly

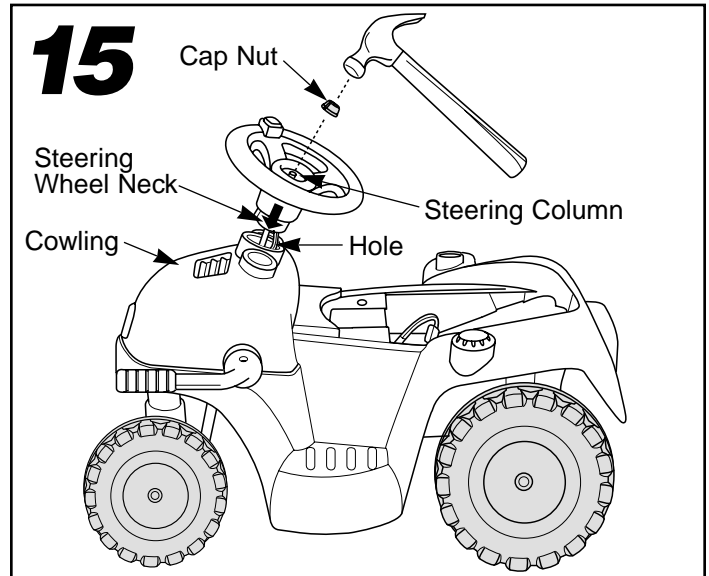


- Carefully turn the vehicle frame over.
- Fit the curved end of the steering column through the hole in the steering linkage.

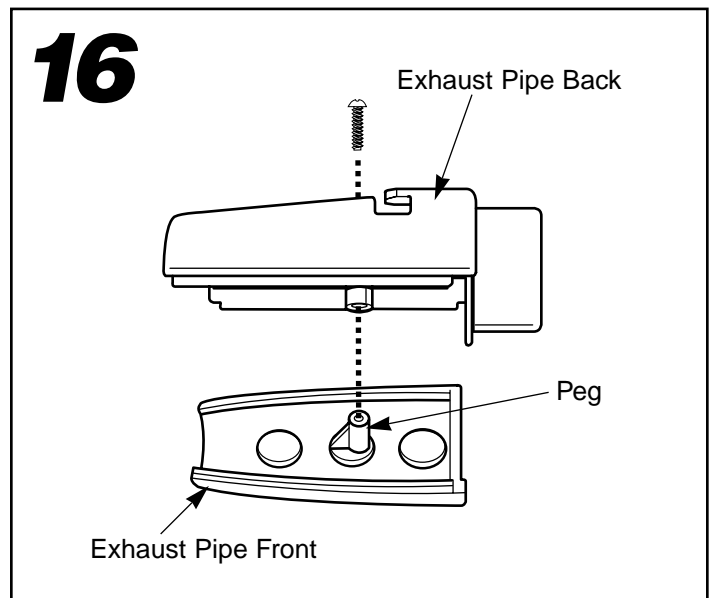


- Fit a cap nut onto the end of the steering column.
- Tap the cap nut with a hammer to secure it on the front axle.

Hint: You may want the help of another adult to support the steering column while you tap the cap nut with the hammer.



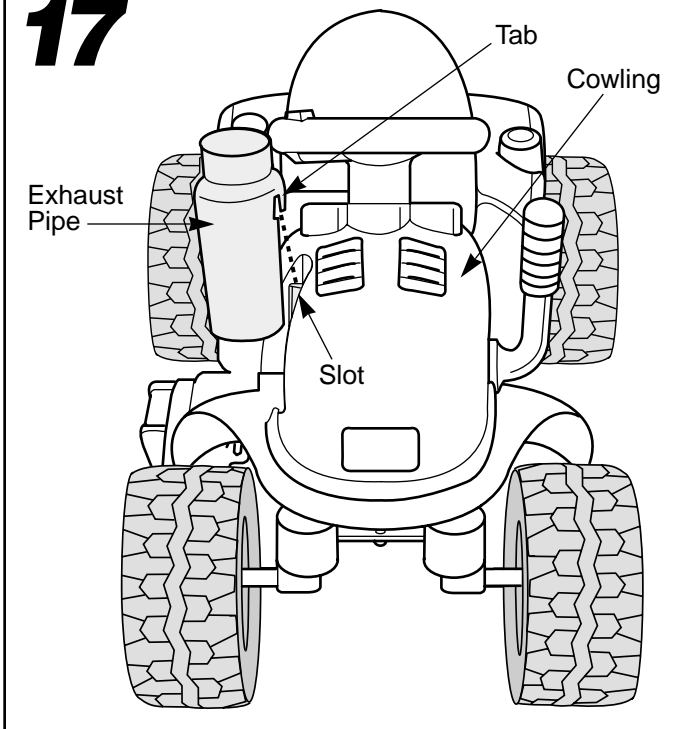
- Turn the vehicle frame upright.
- Insert the steering column straight end up through the hole in the steering wheel.
- Fit the steering wheel neck down into the hole in the cowling.
- Fit a cap nut onto the end of the steering column.
- Tap the cap nut with a hammer to secure it on the steering column.



- Fit the peg on the exhaust pipe front to the exhaust pipe back.
- Insert a screw through the exhaust pipe back and into the exhaust pipe front. Tighten the screw with a Phillips screwdriver. Do not over-tighten.

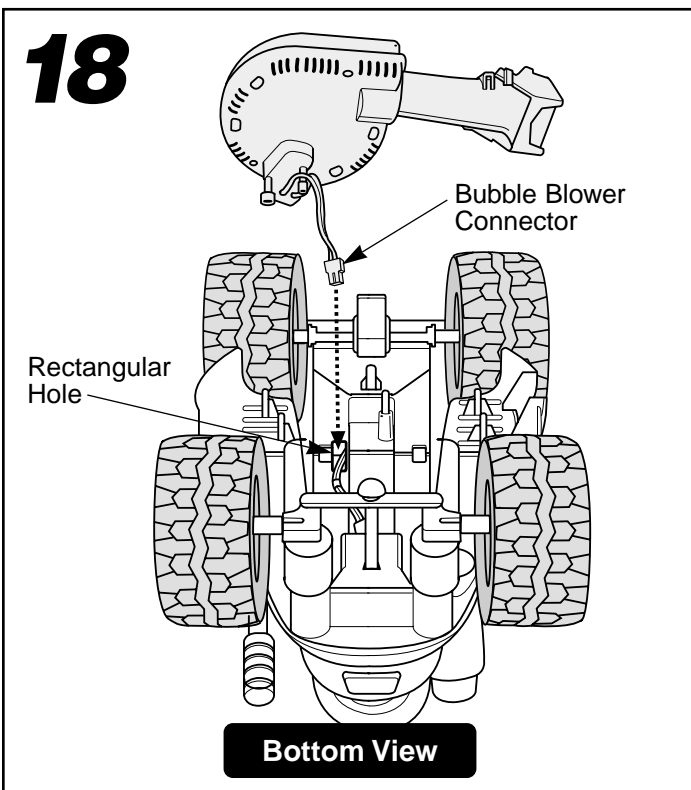
Assembly

17



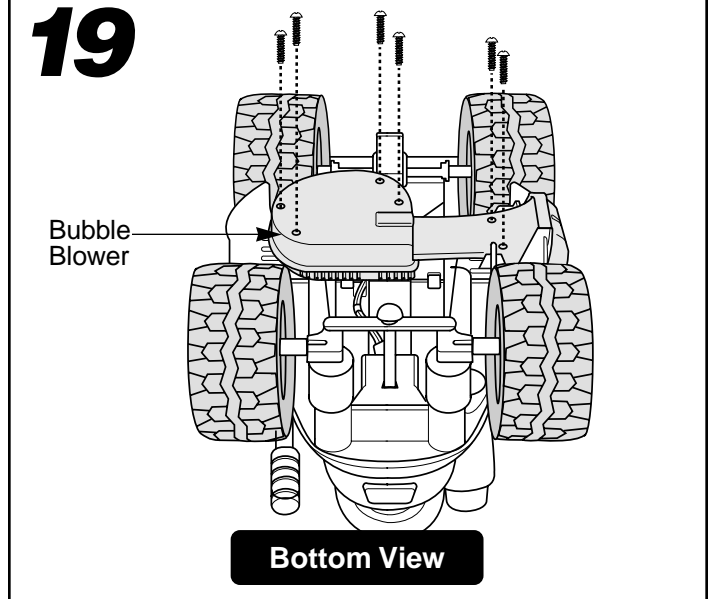
- Insert the tab on the exhaust pipe into the slot in the cowling, as shown.
- Push the exhaust pipe down to “snap” it into place.

18



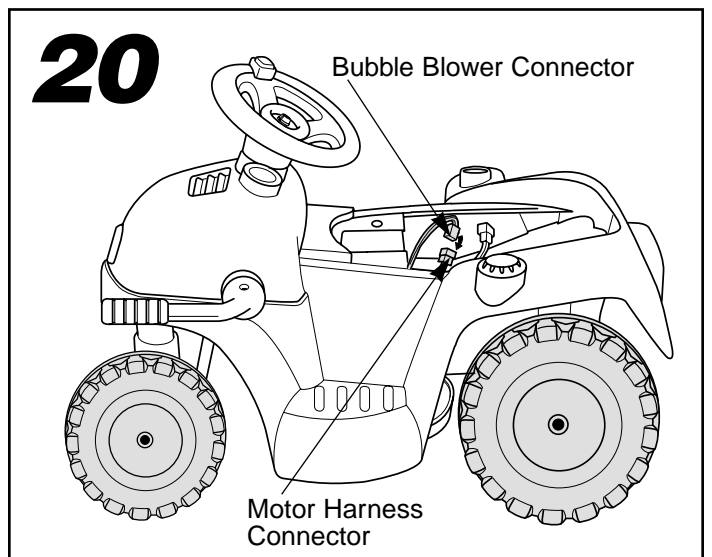
- Turn the vehicle frame over.
- Fit the bubble blower connector down through the rectangular hole in the vehicle body.

19



- Fit the bubble blower to the underside of the vehicle frame, as shown.
- Insert six screws through the bubble blower and into the vehicle frame. Tighten the screws with a Phillips screwdriver. Do not over-tighten.

20

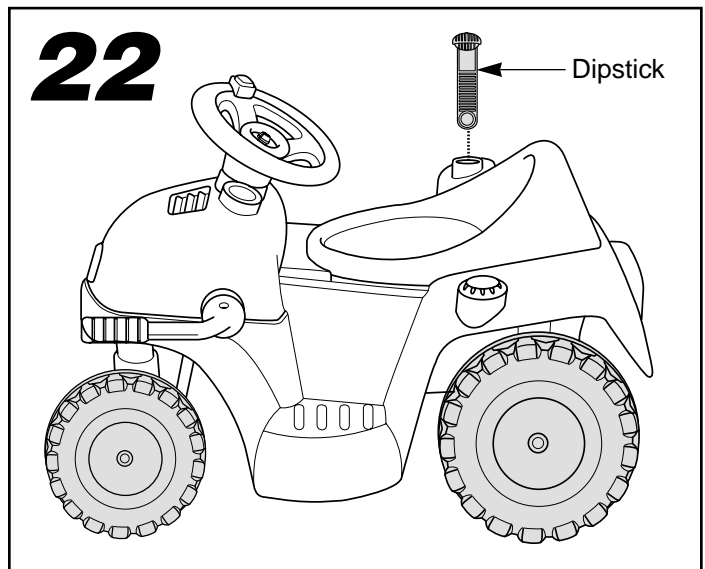
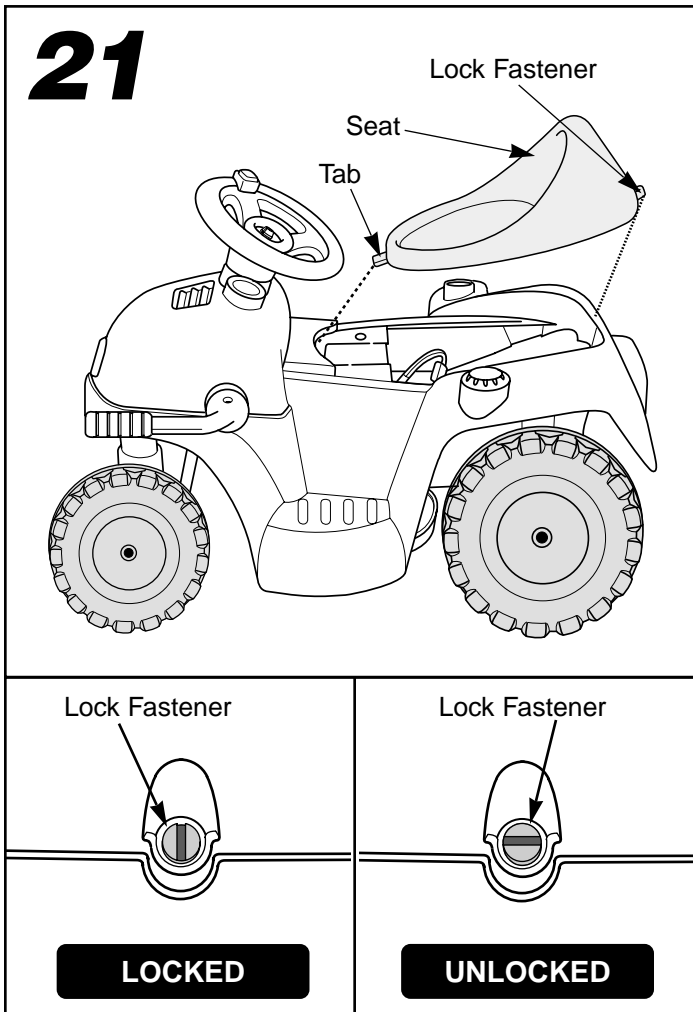


IMPORTANT! There are three electrical connections to be made on this product. All three electrical connections must be made in order for your product to function properly. Please follow these instructions carefully.

- Turn the vehicle frame upright.
- Fit the bubble blower connector to the motor harness connector. This is the second electrical connection.

Note: If the bubble blower connector will not plug into the motor harness connector, turn it over and try again! Do not force the bubble blower connector into the motor harness connector.

Assembly



- Fit the dipstick bubble wand into the hole in the vehicle frame, near the seating area.

IMPORTANT! Please carefully read the owner's information in this manual and teach your child about proper vehicle operation and rules for safe driving before allowing operation of this vehicle.

Note: If you have already charged your Power Wheels® 6 Volt (4.0 Amp/Hr.) battery for at least 18 hours, you may want to re-install it into the battery compartment before assembling the seat to your vehicle. Please refer to the Battery Installation section beginning on page 15 for instructions.

- Insert the tab on the front of the seat into the slot in the vehicle frame.
- Use a slotted screwdriver to rotate the lock fastener $\frac{1}{4}$ turn to the locked position (Ⓜ).
- To unlock the lock fastener, use a slotted screwdriver to rotate the lock fastener $\frac{1}{4}$ turn to the unlocked position (Ⓜ).

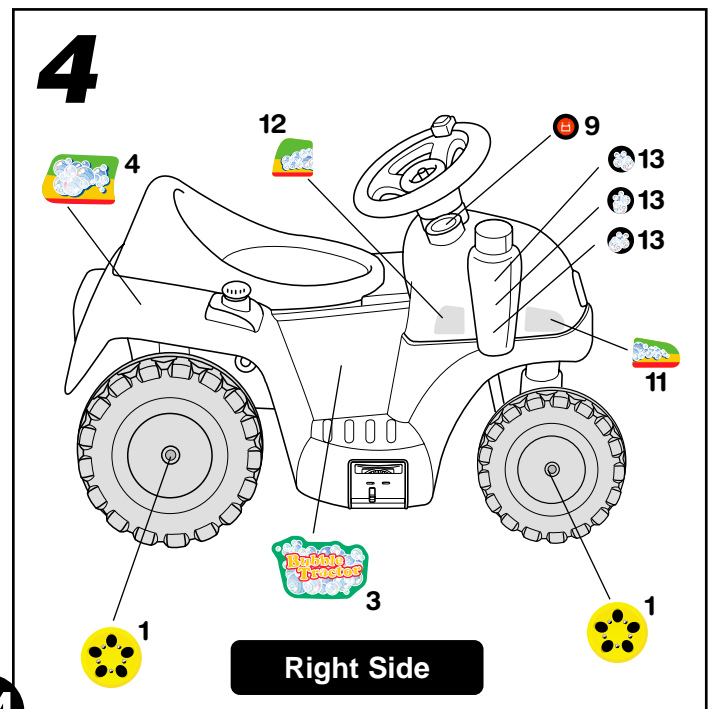
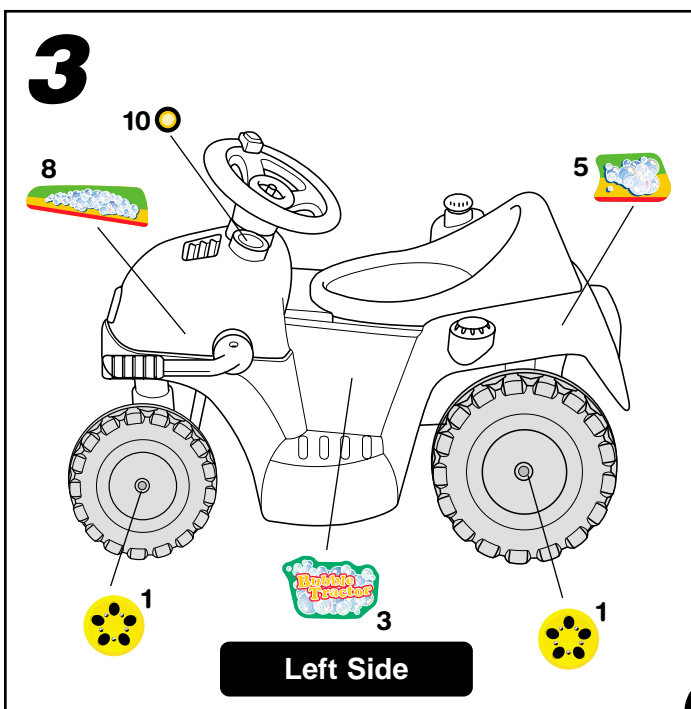
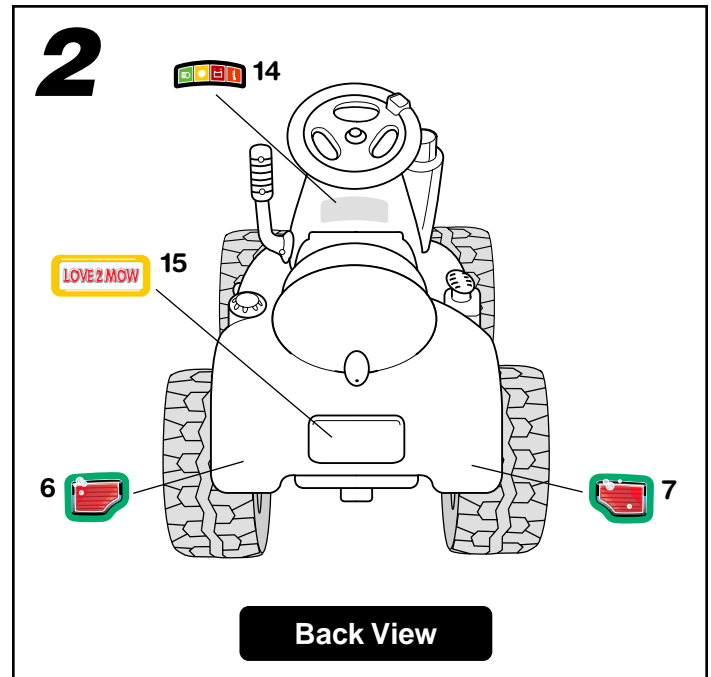
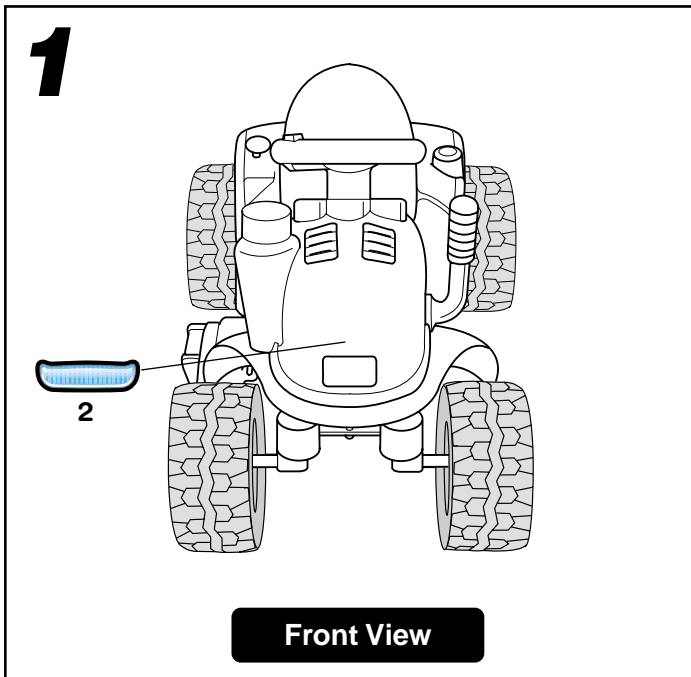
IMPORTANT! Remember to keep the lock fastener locked at all times to prevent children from accessing the vehicle battery.

G

Label Decoration

Proper label application will help to keep the labels looking their best! When applying labels, keep the following guidelines in mind:

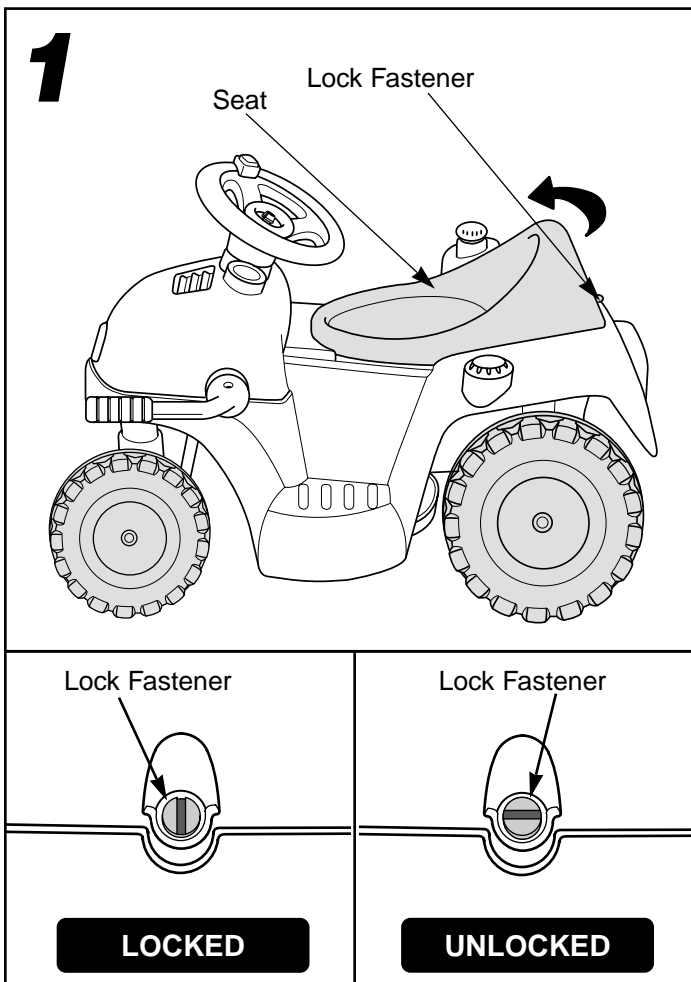
- Wash your hands before applying the labels.
- Before applying the labels, wipe the surface of the vehicle with a clean, dry cloth to remove any dust or oils.
- Place the labels exactly as shown in the illustrations.
- For best results, avoid repositioning a label once it has been applied to the vehicle.
- After applying a label, rub the label firmly with a clean, dry cloth to make sure the label is adhered to your vehicle. Start at the center of a label, and smooth towards the outer edges to remove air bubbles.




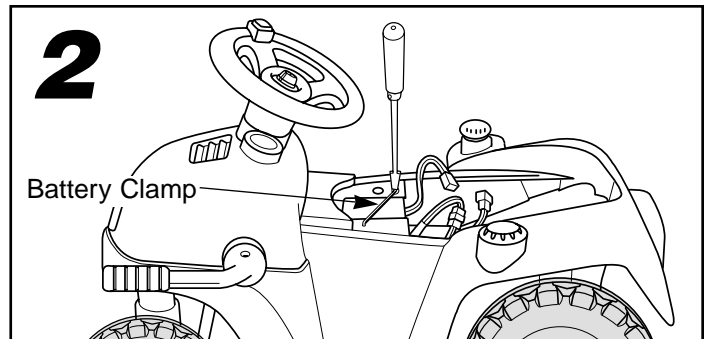
H

Battery Installation

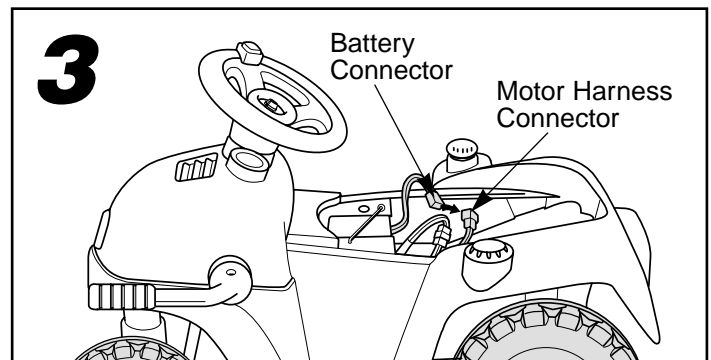
IMPORTANT! Use only a Power Wheels® 6 Volt (4.0 Amp/Hr.) battery with a Power Wheels® 25 Amp fuse installed. Use of any other battery or fuse will damage your vehicle. Make sure that you charge the battery for at least 18 hours using the enclosed Power Wheels 6 Volt (4.0 Amp/Hr.) charger before operating your vehicle for the first time. Charge the battery for at least 14 hours after each use of the vehicle. Never charge the battery longer than 30 hours. Failure to follow these instructions may damage your battery and will void your warranty.



- To unlock the lock fastener, use a slotted screwdriver to rotate the lock fastener $\frac{1}{4}$ turn to the unlocked position .
- Lift the seat to remove it from the vehicle frame.



- Place the Power Wheels® 6 Volt (4.0 Amp/Hr.) battery upright in the battery compartment. Make sure the battery connector extends toward the rear of the vehicle.
- Make sure a Power Wheels® 25 amp fuse, in good condition, is installed in the battery.
- Fit one end of the battery clamp into the hole in the vehicle frame.
- Insert the #8-18 x $\frac{7}{8}$ " screw through the end of the battery clamp and into the vehicle body. Tighten the screw with a Phillips screwdriver. Do not over-tighten.



IMPORTANT! There are three electrical connections to be made on this product. All three electrical connections must be made in order for your product to function properly. Please follow these instructions carefully.

- Fit the battery connector into the motor harness connector. This is the third and last electrical connection.

Notes:

- If the battery connector will not plug into the motor harness connector, turn it over and try again! Do not force the battery connector into the motor harness connector.
- If the bubble blower immediately starts, you have not made all the electrical connections properly. Unplug the motor harness connector from the battery connector. This will turn off the bubble blower. Now, review Assembly step 11 (page 10) and Assembly step 20 (page 12) to properly make all electrical connections.
- Re-assemble the seat to the vehicle frame. (See assembly step 21 on page 13.)

IMPORTANT! Always remember to keep the lock fastener locked at all times to prevent children from accessing the battery.

I

Battery Care and Disposal

Battery Care and Disposal

Care

If a battery leak develops, avoid contact with the leaking acid and place the damaged battery in a plastic bag. See information below for proper disposal.

If acid comes in contact with skin or eyes, flush with cool water for at least 15 minutes and call a physician.

If acid is internally ingested, give water, milk of magnesia or egg whites immediately. Never give emetics or induce vomiting. Call a physician.

- Charge a new battery for at least 18 hours before first use. Never charge the battery longer than 30 hours. Overcharging or undercharging the battery may shorten battery life and decrease vehicle running time.
- After the first charge, recharge the battery for at least 14 hours after each use. Never charge the battery longer than 30 hours. Charge the battery after each use, regardless of how long the vehicle was used.
- The battery must be upright while charging.
- Do not allow the battery to run down completely before charging.
- Charge the battery before storing the vehicle.
- Charge the battery at least once per month, even if the vehicle has not been used.
- Leaving the battery in a discharged condition will ruin it.
- Always remove an exhausted battery from the vehicle. Battery leakage and corrosion can damage the vehicle.
- Do not store the battery on a surface which could be damaged by the acid contained inside the battery. Take precautions to protect the surface on which you store the battery.
- Do not store the battery in temperatures above 75° F or below -10° F.
- Prevent the battery from moving freely inside the battery compartment. **Always use the battery clamp to secure the battery in the battery compartment.**
- Examine the battery, charger and their connectors for excessive wear or damage each time you charge the battery. If damage is detected, do not use the charger or the battery until you have replaced the worn or damaged part.

Disposal



- Your Power Wheels® battery is a sealed lead-acid battery. It must be recycled or disposed of in an environmentally sound manner.
- Do not dispose of a lead-acid battery in your regular, household trash. The incineration, landfilling or mixing of sealed lead-acid batteries with household trash is prohibited by law in most areas.
- Return exhausted batteries to a federal or state approved lead-acid battery recycler, such as a Power Wheels® authorized service center, or a local seller of automotive batteries. For the service center location nearest you, please call 1-800-348-0751. Contact your local waste management officials for other information regarding the environmentally sound collection, recycling and disposal of lead-acid batteries. If you live in the State of Florida or Minnesota, it is prohibited by law for anyone to throw away lead-acid batteries in the municipal waste stream.

J

Caring For Your Vehicle

- Check all screws, cap nuts and their protective coverings regularly and tighten as required. Check plastic parts on a regular basis for cracks or broken pieces.
- During snowy or rainy weather, the vehicle should be stored inside or under a protective cover. Remember to charge the battery at least once per month while your vehicle is not in regular use.
- Avoid operating the vehicle in wet or snowy conditions, and do not spray the vehicle with a hose. Do not wash the vehicle with soap and water. Water or moisture in the motors or electrical switches can cause them to corrode, and could cause switch or motor failure.
- Avoid operating the vehicle on sand, loose dirt or gravel. Sand, loose dirt or gravel in the motors or electrical switches can cause them to jam, and could cause switch or motor failure.
- The vehicle can be wiped with a soft, dry cloth. For a shiny finish, you can wipe plastic parts with a non-wax furniture polish applied to a soft-cloth. Do not use automotive wax. Do not use soap and water or spray the vehicle with a hose.
- To ensure that your vehicle stays in good operating order, we recommend that you periodically have your vehicle checked by a Power Wheels® authorized service center. See page 24 for the list of authorized service centers or call **1-800-348-0751** for the location of the authorized service center nearest you.

RIDING HAZARD



WARNING

Prevent Injuries and Deaths

- Direct Adult Supervision Required
- Keep Children Within Safe Riding Areas

These areas must be:

- away from swimming pools and other bodies of water to prevent drownings
- generally level to prevent tipovers
- away from steps, driveways, roads and alleys.

Teach Safety Rules to Children

While children can quickly develop the skill necessary to drive this vehicle, it is important to remember that their judgment skills are still very immature. Unsupervised driving by children can lead to serious injury. Before children use this vehicle, an adult should carefully evaluate the driving area as well as the children's skill level and ability to drive this vehicle safely. Children are not always able to recognize or anticipate hazards, even when they have been taught about them. **THERE IS NO ACCEPTABLE SUBSTITUTE FOR DIRECT ADULT SUPERVISION.**

Teach appropriate safety rules to your child before allowing operation of this vehicle. These rules should also be reviewed with neighborhood children or other playmates who want to drive this vehicle.

Riding Rules

Make sure children know and follow these rules for safe driving:

1. Always sit on the seat.
2. Always wear shoes.
3. Only 1 (one) rider at a time. A child who is not sitting on the seat or who is standing on the vehicle could fall off, cause a tip-over or block the driver's view. A child could be seriously injured.
4. Do not allow any child to drive the vehicle in the street or near moving (motorized) vehicles.
5. Do not allow any child to drive near bodies of water (such as pools or creeks), obstructions (such as furniture, low tree limbs or play equipment), or drop-offs (such as stairs or decks).
6. Do not allow any child to drive the vehicle in the dark. A child could encounter unexpected obstacles and have an accident. Operate the vehicle only in the daytime or a well-lit area.

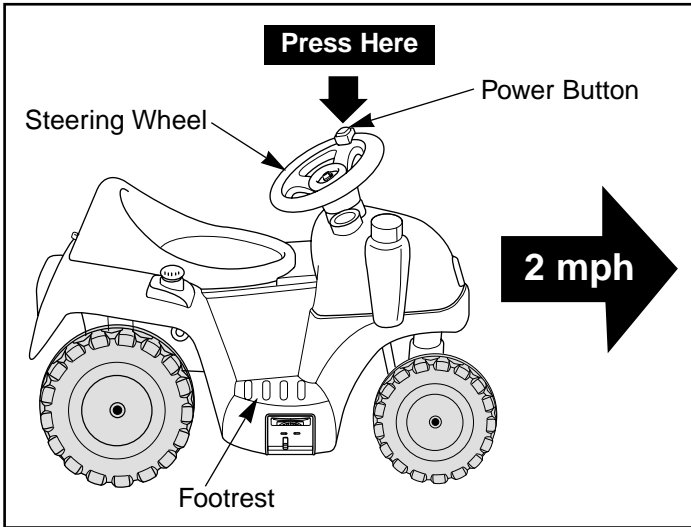


Use vehicle on generally level ground ONLY!

7. Do not allow your child to drive on sloped or inclined surfaces. **Restrict your child's driving to generally level ground ONLY!**
8. Do not allow your child to drive down or across a steep slope.
 - The vehicle may gain unsafe speed, even if the button is released to stop.
 - The vehicle may tilt and tip over.
 - The wheels could lose traction, causing the vehicle to slip.
9. Do not allow your child to drive up steep inclines. The motor may stop and the vehicle could roll backwards at an unsafe speed.
10. Never put anything near any moving parts. Rotating parts such as motors, gear boxes and wheels can snag fingers, hair, etc., causing serious injury. Do not allow operation of the vehicle when it is on its side or in an upside-down position.
11. Do not operate the vehicle near flammable vapors (gasoline, paint thinner, acetone, liquid wax, etc.). The vehicle's electrical switches, like most electrical switches, emit an internal spark when first turned on or turned off. The presence of flammable liquids or vapors could cause an explosion or a fire. Keep all flammable products in tightly sealed containers and away from the vehicle.
12. Do not allow a child to operate the vehicle without direct adult supervision. To prevent unsupervised use of the vehicle, disconnect the motor harness from the battery when the vehicle is not in use.

L

How to Operate Your Vehicle



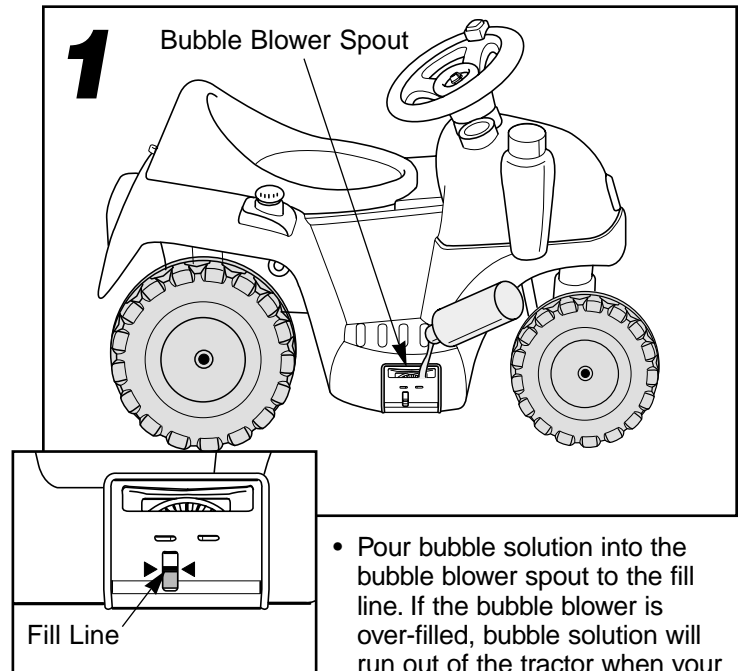
- Seat your child on the vehicle, with both hands on the steering wheel and both feet on the footrests.
- Press the power button on the steering wheel. The vehicle moves forward at a maximum of 2 mph.
- Release the power button and the vehicle stops.
- Help your child practice steering to learn how far and how quickly to turn the steering wheel.

M

Bubblin' Fun

IMPORTANT!

- While filling and cleaning the bubble blower, try to avoid spilling bubble solution on the floor. It may create slippery floor conditions. Please watch for spills and use caution.
- Caution your child that bubble solution is not for drinking and that it should be kept away from the eyes.
- Since the Bubble Tractor™ resembles a lawn tractor, make sure your child rides it in a separate area, away from any real lawn tractor that is operating.



- Pour bubble solution into the bubble blower spout to the fill line. If the bubble blower is over-filled, bubble solution will run out of the tractor when your child is riding it.

Bubblin' Fun

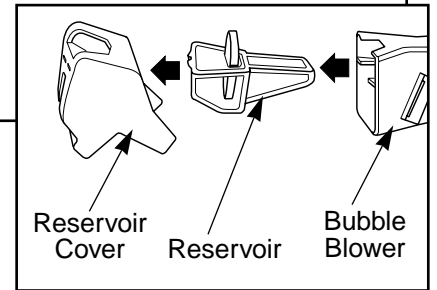
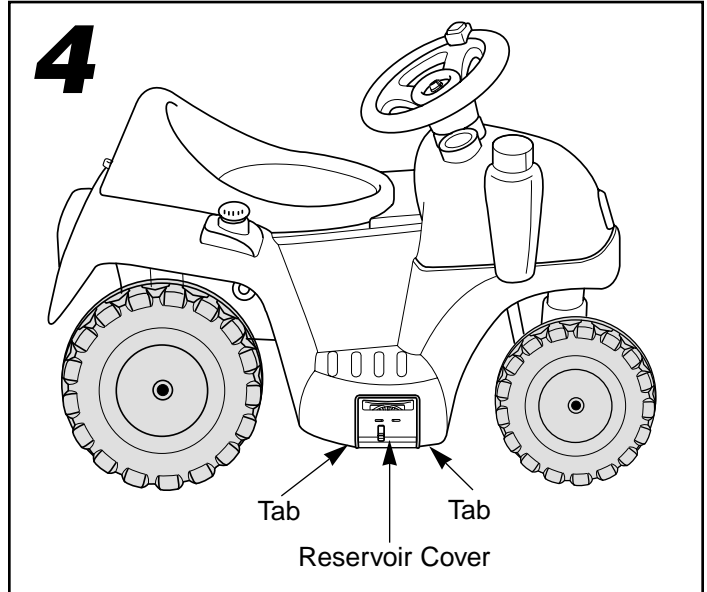


- You're now ready for lots of bubblin' fun!

Hint: The bubble blower operates only when the power button is pressed on the steering wheel.

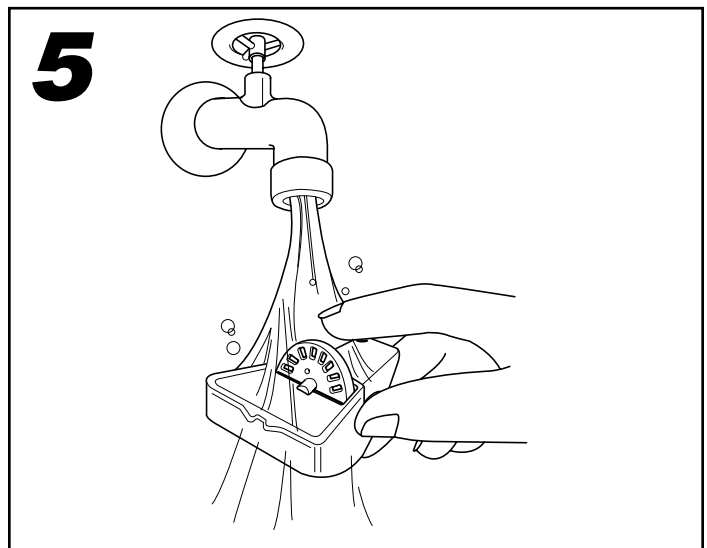


- Your child can also use the dipstick bubble wand to blow bubbles!



Clean-Up

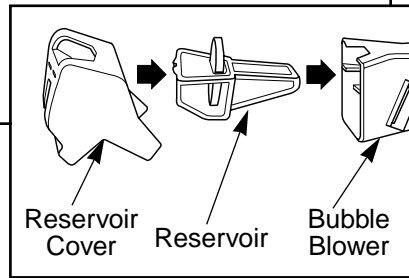
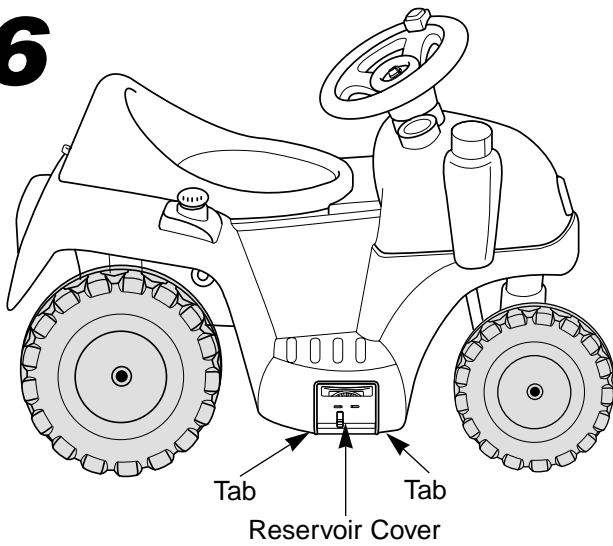
- Always clean the bubble blower before storing it or bringing it indoors.
- Reach under the right side of the vehicle and squeeze the two tabs on the reservoir cover.
- Pull the reservoir cover out to the right of the vehicle and remove it.
- Remove the reservoir from the bubble blower.



- Pour out any unused bubble solution.
- Rinse the reservoir thoroughly with clean water.

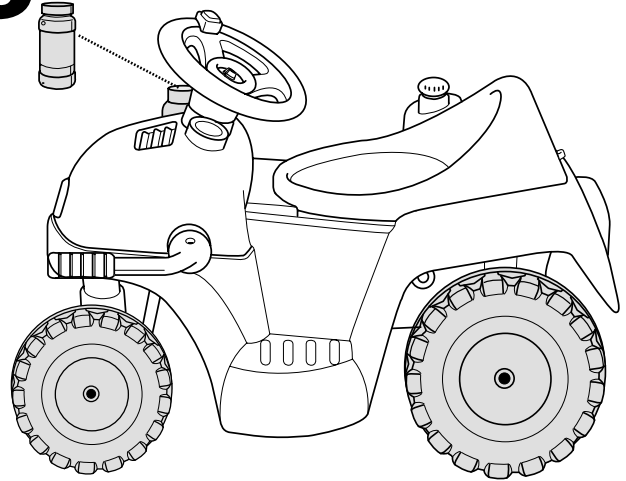
Bubblin' Fun

6



- Replace the reservoir back into the bubble blower. Fit the reservoir cover over the reservoir. Align the tabs on the reservoir cover and snap them back into the bubble blower.
- To prevent leaking, be sure to allow the bubble blower to dry before bringing it indoors.

8

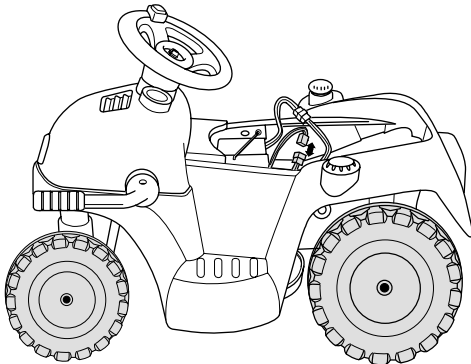


- Store bubble solution in the exhaust pipe.

No Bubbles?

- Check the bubble solution level.
- Check to see if bubble blower fan is operating.
 - Remove the reservoir cover and reservoir (see page 19, step 4).
 - Using a slotted screwdriver, rotate the lock fastener $\frac{1}{4}$ turn \ominus to the unlocked position. Lift the seat and remove it from the vehicle.
 - Locate the bubble blower connector and make sure it is connected securely.
 - Lift the rear wheels of the vehicle off of the ground by placing an object under the rear of the vehicle. Press the power button on the steering wheel and place your hand over the opening of the bubble blower. If you feel air coming from the blower, the fan is working properly.
- Discard used bubble solution and fill with fresh bubble solution.
- Dried bubble solution may cause the bubble wheel in the reservoir to stick and not function properly. Remove the reservoir from the bubble blower and clean (see page 19, steps 4 and 5). Pour warm water into the reservoir and fill completely. Let it soak until the bubble wheel moves freely.
- We do not recommend the use of silicones or oily lubricants on this product. As with any bubble producing toy, when even a very small amount of silicone or oily lubricants are put into, or used near the fluid chamber, bubbles will not form.

7



Disconnecting the Bubble Blower

- The bubble blower can be disconnected and still allow your child to operate the vehicle. This is recommended for indoor use.
- To unlock the lock fastener, use a slotted screwdriver to rotate the lock fastener $\frac{1}{4}$ turn \ominus to the unlocked position. Lift the seat and remove it from the vehicle.
- Locate the bubble blower connector and unplug it from the motor harness connector.
- Replace the seat to the vehicle.
- To lock the lock fastener, use a slotted screwdriver to rotate the lock fastener $\frac{1}{4}$ turn \oplus to the locked position.

N

Problems and Solutions Guide

IMPORTANT! If you experience a problem with your vehicle, first check the Problems and Solutions Guide below. If you still experience a problem, please contact Power Wheels® Consumer Relations, toll-free at **1-800-348-0751** between 8 AM and 6 PM (EST) Monday through Friday. Or, contact your local Power Wheels® authorized service center. For the location nearest you, please refer to the Authorized Service Center list beginning on page 24.

Problem	Possible Cause	Solution
Vehicle does not run	Undercharged battery	Charge the battery. A new battery should have been charged for at least 18 hours before using the vehicle for the first time. After first-time use, recharge the battery for at least 14 hours after each use. Never charge the battery longer than 30 hours.
		Check all connectors. Make sure the battery connector is tightly plugged into the charger connector, and that the charger is plugged into the wall.
		Make sure power flow to the wall outlet is "ON".
	Charger is not working	There is no sure way to tell if your charger is working unless you have a volt meter. If you suspect there is a problem with your charger, contact your local Power Wheels® authorized service center. They can test your charger for you.
	Wrong type or improperly installed fuse	Make sure that the battery has a properly installed Power Wheels® 25 amp fuse before charging. Do not substitute parts.
	Blown fuse	Make sure that the fuse in the battery is in good condition. Replace a blown fuse with a Power Wheels® 25 amp fuse. Do not substitute parts.
	Loose wire or loose connectors	Check all wires and connectors. Make sure the battery connector is tightly plugged into the motor harness connector, and that there are no loose wires around the motor.
	Dead battery	If your battery is old or if you have not followed Battery Care instructions, your battery may be dead. If you are unsure whether or not the battery is dead, you can have it tested at your local Power Wheels® Authorized Service Center.
Vehicle was running but suddenly stopped	Electrical switch damage	The electrical switches can become corroded due to exposure to water or moisture, or can jam due to loose dirt, sand or gravel. Contact your local Power Wheels® Authorized Service Center for diagnosis and repair.
	Motor damage	Contact your local Power Wheels® Authorized Service Center for diagnosis and repair.
	Loose wire or loose connectors	Check all wires and connectors. Make sure the battery connector is tightly plugged into the motor harness connector, and that there are no loose wires around the motor.
	Wrong type or improperly installed fuse	Make sure that the battery has a properly installed Power Wheels® 25 amp fuse installed before charging. Do not substitute parts.
	Blown fuse	Make sure that the fuse in the battery is in good condition. Replace a blown fuse with a Power Wheels® 25 amp fuse. Do not substitute parts.

Problems and Solutions Guide

Problem	Possible Cause	Solution
Vehicle was running but suddenly stopped (cont.)	Vehicle is overloaded	Make sure you do not overload the vehicle by allowing more than 1 rider at one time, by exceeding the 40 lbs. (18 kg) maximum weight capacity, or by towing objects behind the vehicle.
	Driving conditions are too stressful	Use only on generally level ground. Extreme temperatures can also affect run time.
Short run time	Undercharged battery	Charge the battery. A new battery should have been charged for at least 18 hours before using the vehicle for the first time. After first-time use, recharge the battery for at least 14 hours after each use. Never charge the battery longer than 30 hours.
		Check all wires and connectors. Make sure the battery connector is tightly plugged into the charger connector, and that the charger is plugged into the wall.
		Make sure power flow to the wall outlet is "ON".
	Overcharged battery	Do not charge the battery longer than 30 hours. If you suspect that your battery is damaged as a result of overcharging, contact your local Power Wheels® Authorized Service Center. They can test your battery for you.
	Battery is old and will not accept full charge	Even with proper care, a rechargeable battery does not last forever. Average battery life is 1 to 3 years depending on vehicle use and use conditions. Do not substitute parts.
	Wrong type or improperly installed fuse	Make sure that the battery has a properly installed Power Wheels® 25 amp fuse before charging. Do not substitute parts.
	Driving conditions are too stressful	Use only on generally level ground. Extreme temperatures can also affect run time.
Vehicle runs sluggishly	Undercharged battery	Charge the battery. A new battery should have been charged for at least 18 hours before using the vehicle for the first time. After first-time use, recharge the battery for at least 14 hours after each use. Never charge the battery longer than 30 hours.
		Check all connectors. Make sure the battery connector is tightly plugged into the charger connector, and that the charger is plugged into the wall.
		Make sure power flow to the wall outlet is "ON".
	Battery needs charging	After approximately 3 hours of constant use, the battery needs charging.
	Wrong type or improperly installed fuse	Make sure that the battery has a properly installed Power Wheels® 25 amp fuse installed before charging. Do not substitute parts.
	Battery is old and will not accept full charge	Even with proper care, a rechargeable battery does not last forever. Average battery life is 1 to 3 years depending on the vehicle use and use conditions. Replace the battery with a Power Wheels® 6 Volt (4 Amp/hr.) battery. Do not substitute parts.
	Vehicle is overloaded	Make sure you do not overload the vehicle by allowing more than 1 rider at one time, exceeding the 40 lbs. (18 kg) maximum weight capacity, or by towing objects behind the vehicle.
	Driving conditions are too stressful	Use only on generally level ground. Extreme temperatures can also affect run time.

Problems and Solutions Guide

Problem	Possible Cause	Solution
Sometimes the vehicle doesn't run, but other times it does	Loose wire or connector	Check all wires around the motor and all connectors to make sure they are tight.
	Motor or electrical switch damage	Contact your local Power Wheels® Authorized Service Center for diagnosis and repair.
When the steering wheel button is pressed, the vehicle won't run without a push	Loose wire or connector	Check all wires around the motor and all connectors to make sure they are tight.
	"Dead Spot" on motor	Contact your local Power Wheels® Authorized Service Center for diagnosis and repair.
Vehicle constantly blows fuses	Wrong type of fuse used	Your vehicle requires a Power Wheels® 25 Amp fuse in the battery. Make sure the Power Wheels® 25 Amp fuse is properly installed in the battery. Do not substitute parts.
Loud clacking or grinding noise from motor-gearbox	Broken gears	Contact your local Power Wheels® Authorized Service Center for diagnosis and repair.
Charger gets warm during use	It is normal for some chargers to get warm during use and is not reason for concern. Some chargers do not get warm during use.	No action required.
		If your charger does not get warm during use, it does not mean that it is not working properly.
Battery makes a sizzling or gurgling noise when charging	It is normal for some batteries to make noise and swell slightly while charging and is not reason for concern. Some batteries do not make noise or swell while charging.	No action required.
		If your battery does not make noise or swell slightly during charging, it does not mean that it is not accepting the charge.
Bubble blower constantly runs, even when vehicle is stopped	Electrical connection is not correct	Remove the seat from the vehicle. Unplug the motor harness connector from the battery connector. The bubble blower should turn off. Now, review and follow the instructions in Assembly step 11 (page 10) and Assembly step 20 (page 12) to properly make all electrical connections.

If, after reviewing the Problems and Solutions Guide, the vehicle still fails to operate, please contact your nearest Authorized Service Center (see page 25) or contact Power Wheels® Consumer Relations toll-free at **1-800-348-0751**.

Hint: For faster service when calling Consumer Relations, completely charge the battery before calling and have the following available by the phone:

- vehicle,
- vehicle model number (see sticker on underside of vehicle body),
- vehicle production run number (see sticker on underside of vehicle body),
- Phillips screwdriver, slotted screwdriver and needle-nose pliers with plastic or rubber handles,
- an extra Power Wheels® 25 amp fuse is helpful.

O

Bumper-to-Bumper* Limited Warranty

***One year limited warranty from the date of purchase on the Power Wheels® vehicle.**

Six month limited warranty on 6 volt battery.

For the original purchaser, this one year limited warranty covers the Power Wheels® ride-on vehicle (purchased from Power Wheels®) against defects in materials and work-manship. The six month limited warranty applies only to the 6 volt battery included by Power Wheels® with the original purchase of the vehicle.

This warranty covers normal use and does not cover the Power Wheels® vehicle or battery if it has been damaged by unreasonable use, neglect, accident, abuse, misuse, improper service or other causes not arising out of defects in materials or workmanship. Evidence of any attempt at consumer repair will void this warranty.

THIS WARRANTY DOES NOT COVER, AND IS INTENDED TO EXCLUDE, ANY LIABILITY ON THE PART OF POWER WHEELS®, WHETHER UNDER THIS WARRANTY OR IMPLIED BY LAW, FOR ANY INDIRECT OR CONSEQUENTIAL DAMAGES FOR BREACH OF WARRANTY. SOME STATES DO NOT ALLOW THE EXCLUSION OR LIMITATION, SO THIS LIMITATION MAY NOT APPLY TO YOU.

Should you need service or assistance with your vehicle during the warranty period, **do not return the vehicle to the store.** Power Wheels® has provided a nationwide network of authorized service centers. Please refer to the list in this manual. Power Wheels® is continually expanding our Authorized Service Center Network. If there is not an authorized service center in your area, please call Consumer Relations for information, **1-800-348-0751.**

THIS WARRANTY GIVES YOU SPECIFIC LEGAL RIGHTS, AND YOU MAY ALSO HAVE OTHER RIGHTS WHICH MAY VARY FROM STATE TO STATE.

PLEASE SAVE YOUR ORIGINAL SALES RECEIPT.

P

Authorized Service Centers

We are continually expanding our Authorized Service Center Network. Please check this listing for the Authorized Service Center nearest you. If there is not one in your area, please call Power Wheels® Consumer Relations at 1-800-348-0751.

ALABAMA

BIRMINGHAM - Frigid Service & Sales, 701 Graymont Ave. North, 35203, (205) 323-5831

BIRMINGHAM - Frigid Service & Sales, 1861 Centerpoint Rd., 35215, (205) 853-3952

BIRMINGHAM (HOMEWOOD) - Frigid Appliance Center, 154 West Valley Ave., 35209, (205) 942-3959

DECATUR - Peddler II, 1000 B Beltline Road, 35603, (205) 350-1044

DOTHAN - Bill's Appliance Service, 208 Bic Road, P.O. Box 1192, 36303, (334) 792-7746

DOUGLAS - Brown Hardware, Highway 75, 35964, (205) 593-6086

HUNTSVILLE - C & G Appliance, 307 Jordan Lane, 35805, (205) 837-4551

MOBILE - Foster's Appliance Repair, 1660 South Beltline Highway, 36693, (334) 666-2670

NORTHPORT - Appliance Connection, 2703 McFarland Blvd, 35476, (205) 339-2774

TROY - Specialty Batteries, 1317 S. Brundidge St., P.O. Box 1045, 36081, (334) 670-6800, (800) 477-8230

ALASKA

ANCHORAGE - Ken's Electronics Service, 360 E. International, Ste. 8, 99518, (907) 562-3443

FAIRBANKS - Appliance Service Co. Inc., 700 23rd Ave., 99701, (907) 452-1000

ARIZONA

COTTONWOOD - Blackhills Auto Electric, 951 Blackhills Dr. Suite D, 86326, (520) 634-4159

GLENDALE - Elliott Electric Appliance Service, 6242 N. 43rd Avenue, 85301, (623) 937-2613

SCOTTSDALE - Elliott Electric, 7515 E. McDowell Road, 85257, (480) 946-7487

TUCSON - Arizona Small Appliance Service Co., 5033 E 5th Street, 85711, (520) 325-3988

ARKANSAS

FT. SMITH - Bromley Appliance Service, 614 North 10th Street, 72901, (501) 782-9646

GLENWOOD - Gardening Plus, 110 North 2nd Street, 71943, (870) 356-2233

JONESBORO - Best Sewing & Vacuum & Repair, 2235 S. Caraway Road, 72401, (501) 935-4739, (800) 844-4739

LITTLE ROCK - C & W Tool Repair, 1303 W. Markham, 72201, (501) 374-1911

ROGERS - Kressel's Vacuum & Repair, 115 North 5th Street, 72756, (501) 636-7894

STUTTGART - Davis Lumber Company, 301 East Michigan, 72160, (501) 673-3601

CALIFORNIA

ANDERSON - Hardware Express/Do It Best, 2681 Balls Ferry Road, 96007, (916) 365-3783

BAKERSFIELD - Southwest TV, 6300 White Lane, Suite B, 93309, (805) 397-4940

CONCORD - California Electric Service Center, 1170-G Burnett Avenue, 94520, (510) 827-1011

COVINA - California Electric Service Center, 612 Shoppers Lane, 91723, (818) 915-4935

FORT JONES - Ft. Jones Frontier Hardware, 11911 Main Street, 96032, (916) 468-2266

FRESNO - Valley Small Appliance, 4005 E. Ashlan Avenue, 93726, (209) 224-5530

FULLERTON - California Electric Service Center, 1208 E. Ash Avenue, 92631-5020, (714) 870-0900

LAKE FOREST - California Electric Service, 22500 Muirlands Suite B, 92630, (949) 586-9440

LOS ALAMITOS - California Electric Service Center, 11284 Los Alamitos Blvd., 90720, (562) 430-2668

OAKLAND - California Electric Service Center, 1139 E. 12th Street, 94606, (510) 834-1050

PASADENA - California Electric Service Center, 2594 E. Colorado Blvd., 91107, (818) 792-3194

SACRAMENTO - California Electric Service Center, 1821 "Q" Street, 95814, (916) 443-5711

SALINAS - SRS Hobbies, 1038A North Davis Road, 93907, (831) 424-4044, (800) 414-4547

SAN DIEGO - California Electric Service Center, 3430 El Cajon Blvd., 92104, (619) 283-6488

SAN JOSE - California Electric Service Center, 481 So. Bascom, 95126, (408) 295-1723

SANTA ROSA - Hardisty's Inc., 710 Farmers Lane, 95405, (707) 545-0535

SKY FOREST - Sky Forest Electrical, 28670 Highway 18 P.O. Box 496, 92385, (909) 337-0811

TEMECULA - California Electric Service Center, 41715 Enterprise Circle North, Suite 101, 92590, (909) 296-0205

VAN NUYS - California Electric Service Center, 14753 Oxnard Blvd., 91411, (818) 997-8855

WEST LOS ANGELES - California Electric Service Center, 2314 S. Westwood Blvd., 90064, (310) 475-2532

YUCAIPA - Aire-Rite Heating & A/C, 34724 Yucaipa Blvd., 92399, (909) 797-2788

COLORADO

COLORADO SPRINGS - Nelson Appliance Repair, Inc., 1220 E. Fillmore, 80907, (719) 635-1928, (800) 291-8010

DENVER - Appliance Service, 4272 Lowell Blvd., 80211, (303) 458-1109, (800) 631-0941 (CO, WY only)

GRAND JUNCTION - V & L Appliance Service, 591 25 Road Suite A6, 81506, (970) 243-3360

IMPORTANT!

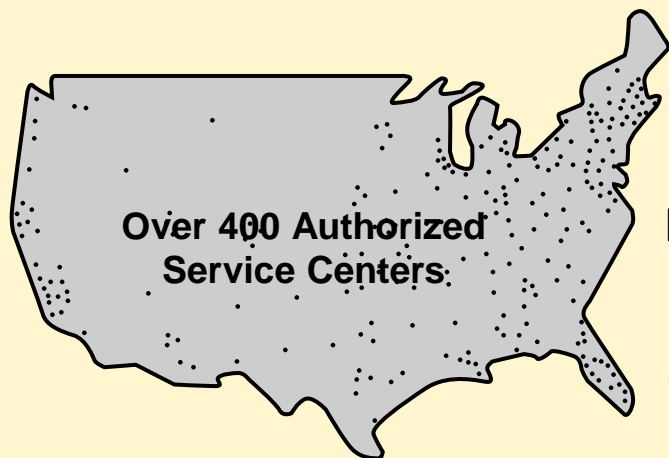
DO NOT use this vehicle for the first time until you have charged the battery for 18 hours.

Remember to...

- ✓ Insert a 25 amp fuse (included) into the battery.
- ✓ Charge the battery immediately after each use.
- ✓ Charge the battery once a month during storage, even if the vehicle has not been used.

Failure to follow these instructions will permanently damage your battery and void your warranty. Please refer to the Battery Care Section in this manual for more information.

DO NOT Return your Vehicle to the Store !



If you are missing parts or need assistance, please call us toll-free:

Power Wheels® Consumer Relations

1-800-348-0751

8 AM - 6 PM EST, Monday through Friday.

Or contact your local Power Wheels® Authorized Service Center.



For the location nearest you, refer to the Authorized Service Center list in this manual.

Fisher-Price and Power Wheels by Fisher-Price are U.S. trademarks of Mattel, Inc. Fisher-Price, Inc., a subsidiary of Mattel, Inc., East Aurora, New York 14052 U.S.A. ©2001 Mattel, Inc. All Rights Reserved.